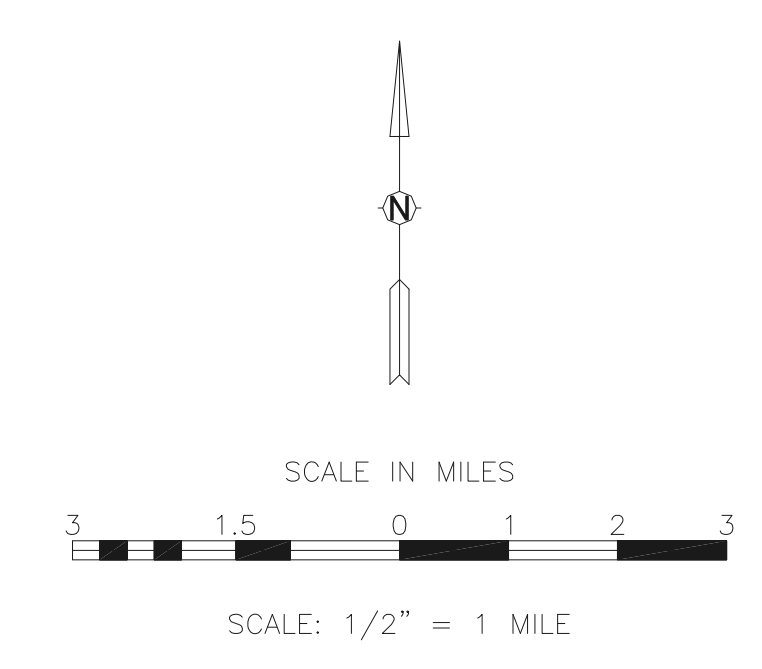


1. RRO 0030(3)B
2. ER 0055(1)
3. ER 0055(2)
4. S 0116(2)2
5. S 0116(3)B
6. S 0116(4)B
7. S 0116(5)B
8. BR 0116(13)B
9. S 0118(1)B
10. RRP 0142(1)1)B
11. RS 0142(12)B
12. RRS 0143(3)B
13. S 0144(1)B
14. S 1127(1)B
15. BR 1127(3)B
16. S 1139(1)B
17. S 1140(1)B
18. S 1140(2)B
19. BR 2104(5)B
20. BR 2104(6)B
21. RS 2104(7)B



OFFICE OF STATE AID ROAD CONSTRUCTION
PROJECT MAP
JACKSON COUNTY
 August 1997

<p> STATE AID PROJECT</p> <p> LSBP PROJECT</p>	<p> FEDERAL AID PROJECT</p> <p> 9999 FA ROUTE NUMBER</p>
--	--

	STATE MAINTAINED
	FEDERAL AID - STATE AID
	FEDERAL AID - NON STATE AID
	STATE AID - NON FEDERAL AID
	STATE DESIGNATED - LOCAL MAINTAINED
	LOCAL ROAD