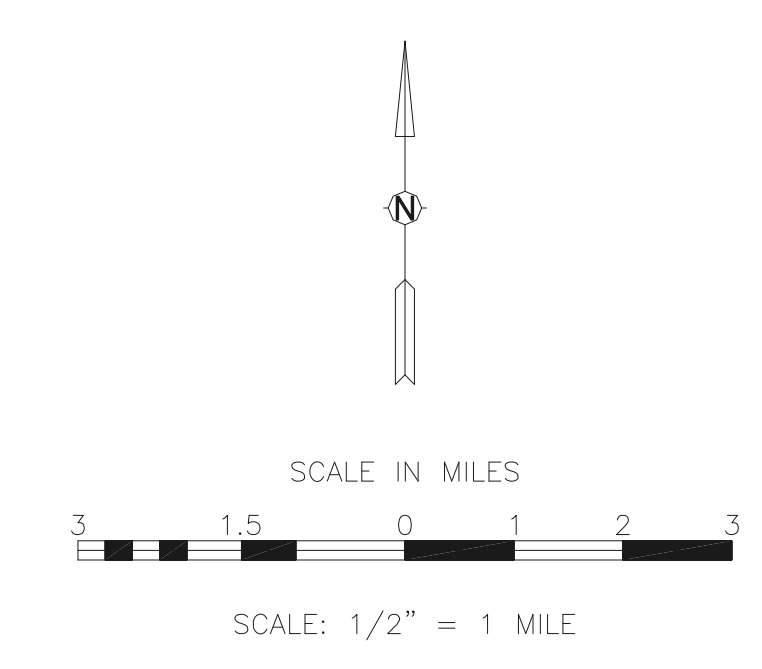


- FEDERAL AID PROJECTS
1. BR 0021(14)B
  2. BR 0021(15)B
  3. S 0229(2)1
  4. RS 0229(2)B
  5. RS 0229(3)B
  6. S 0232(2)1
  7. S 0237(1)B
  8. STP 0237(2)B
  9. S 0256(1)B
  10. S 0256(2)B
  11. S 0256(3)B
  12. S 0256(4)B
  13. BR 0256(6)B
  14. RS 0256(7)B
  15. S 0257(2)B
  16. S 0257(3)B
  17. S 0295(1)B
  18. S 0295(2)B
  19. S 0297(1)B
  20. S 0297(2)B
  21. S 0297(3)B
  22. S 0298(2)B
  23. RS 0298(3)B
  24. S 0298(4)B
  25. S 0298(5)B
  26. S 0298(6)B
  27. RS 0298(7)B
  28. BR 0298(8)B
  29. S 1234(1)B
  30. S 1234(2)B
  31. RS 1234(3)B
  32. S 1256(1)B
  33. S 1258(1)B
  34. S 1262(1)B
  35. ER 54(2)
  36. ER 54(4)
  37. ER 54(5)



**OFFICE OF STATE AID ROAD CONSTRUCTION**  
**PROJECT MAP**  
**GREENE COUNTY**  
 August 1997

<p>99 STATE AID PROJECT</p> <p>99 LSBP PROJECT</p>	<p>99 FEDERAL AID PROJECT</p> <p>9999 FA ROUTE NUMBER</p>
--	---

	STATE MAINTAINED
	FEDERAL AID - STATE AID
	FEDERAL AID - NON STATE AID
	STATE AID - NON FEDERAL AID
	STATE DESIGNATED - LOCAL MAINTAINED
	LOCAL ROAD